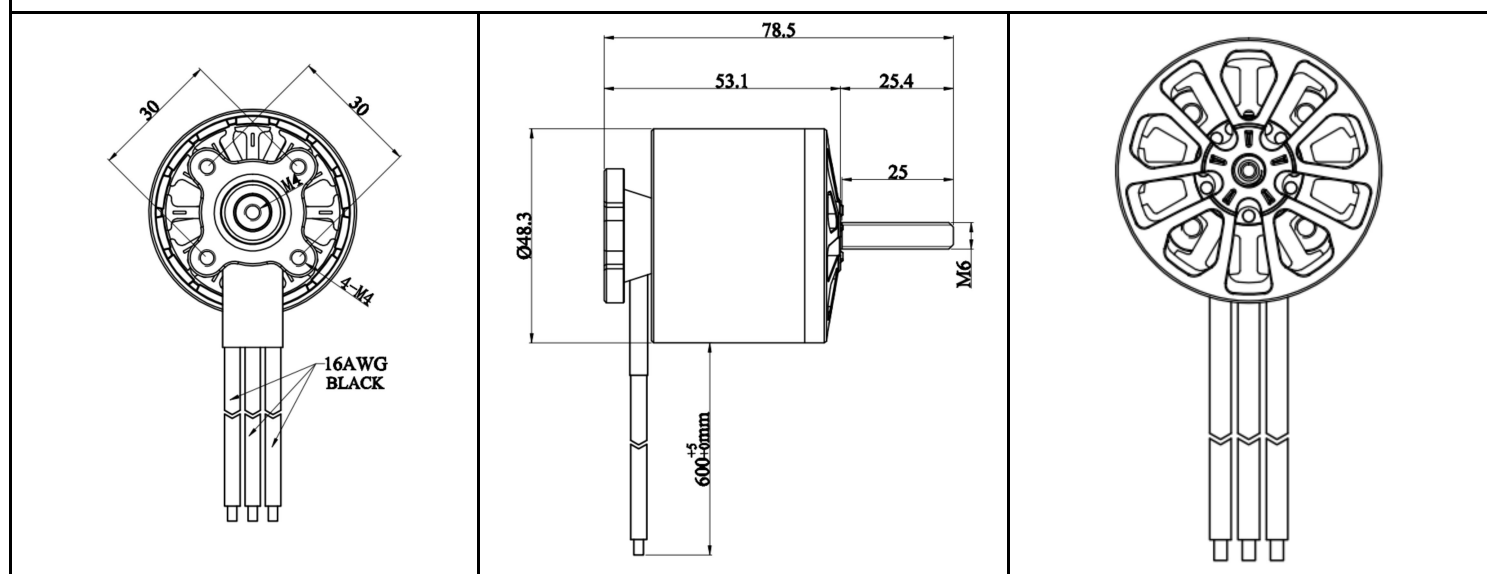


# A4130 Motor 基本参数

测试KV KV value	530KV	重量 (含线) Weight(Incl.cable)	374.59g(含线)
电机尺寸 Motor Size	φ48.3x53.1 mm	相间内阻 Internal Resistance	0.029Ω
引线规格 Motor Cable	16AWG-600MM,黑色特软硅胶线	槽极 Configuration	12N/14P
轴径 Shaft	6.0mm	工作额定电压 (Lipo) Rated Voltage (Lipo)	4-8S
空载电流 Idle Current	2.37/16V	最大电流 (60S) Peak Current (60S)	139.80A
最大功率 Max Power	4417W	支架安装螺丝直径 Prop Mount Screw Dia	4-M4
最大拉力 Max Pull	10050G	动平衡控制标准 Dynamic balance control standard	≤8mg

## MOTOR OUTLINES:



Item NO.	Prop	Throttle	Volts (V)	Amps (A)	Watts (W)	Revolution (RPM)	Thrust (g)	Efficiency (g/W)	Operating temperature(°C)
A4130-530KV	GF1507	40%	32.87	17.55	576.9	5958	3046	5.28	27.2
		50%	33.00	30.60	1009.8	7108	4332	4.29	28.2
		60%	32.83	46.37	1522.3	8106	5568	3.66	29.4
		70%	32.40	63.76	2065.8	8999	6731	3.26	31.0
		80%	32.37	87.10	2819.8	9841	8046	2.85	33.2
		90%	32.01	111.96	3583.3	10425	9378	2.62	36.1
		100%	31.60	139.80	4417.7	10911	10050	2.27	40.1

A4130-530KV	HQ1507	40%	32.82	20.46	671.5	5884	3049	4.54	37.0
		50%	32.97	32.79	1081.2	6930	4326	4.00	37.8
		60%	32.78	48.87	1602.0	7920	5535	3.46	38.7
		70%	32.42	70.66	2290.8	8712	6849	2.99	40.1
		80%	32.27	94.17	3038.8	9460	8001	2.63	42.3
		90%	31.90	120.19	3834.1	9976	8788	2.29	45.2
		100%	31.46	145.98	4592.6	10233	9783	2.13	48.8

Notes: The test condition of temperature is motor surface temperature in 100% throttle while the motor run 15 s.environment temperature 26°C